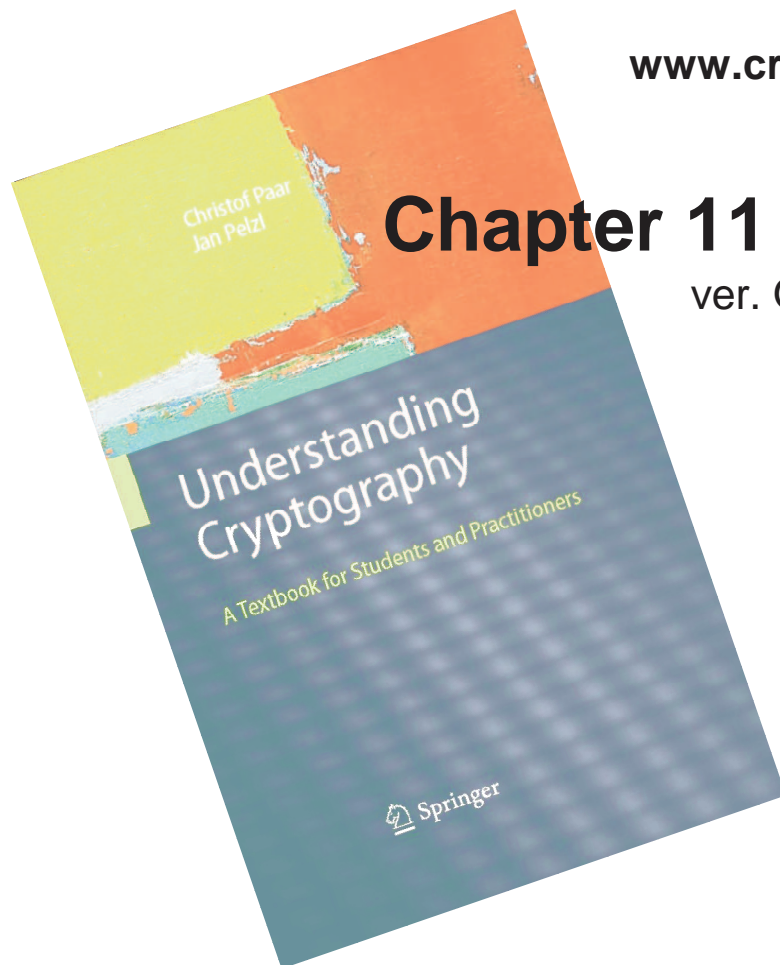


Understanding Cryptography – A Textbook for Students and Practitioners

by Christof Paar and Jan Pelzl

www.crypto-textbook.com



Chapter 11 – Hash Functions

ver. October 29, 2009

These slides were prepared by Stefan Heyse and Christof Paar and Jan Pelzl

Some legal stuff (sorry): Terms of Use

- The slides can be used free of charge. All copyrights for the slides remain with Christof Paar and Jan Pelzl.
- The title of the accompanying book “Understanding Cryptography” by Springer and the author’s names must remain on each slide.
- If the slides are modified, appropriate credits to the book authors and the book title must remain within the slides.
- It is not permitted to reproduce parts or all of the slides in printed form whatsoever without written consent by the authors.

Content of this Chapter

- Why we need hash functions
- How does it work
- Security properties
- Algorithms
- Example: The Secure Hash Algorithm SHA-1

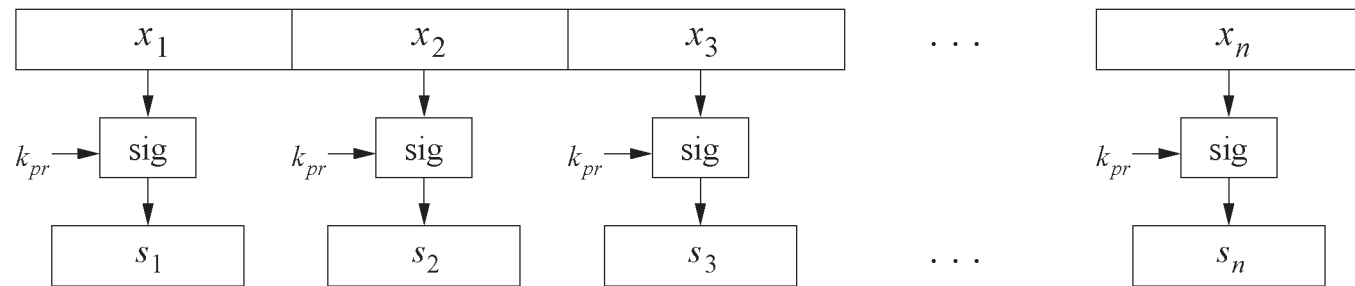
Content of this Chapter

- **Why we need hash functions**
- How does it work
- Security properties
- Algorithms
- Example: The Secure Hash Algorithm SHA-1

Motivation

Problem:

Naive signing of long messages generates a signature of same length.



- Three Problems
- Computational overhead
- Message overhead
- Security limitations
- For more info see Section 11.1 in “*Understanding Cryptography*”.

Solution:

Instead of signing the whole message, sign only a digest (=hash)

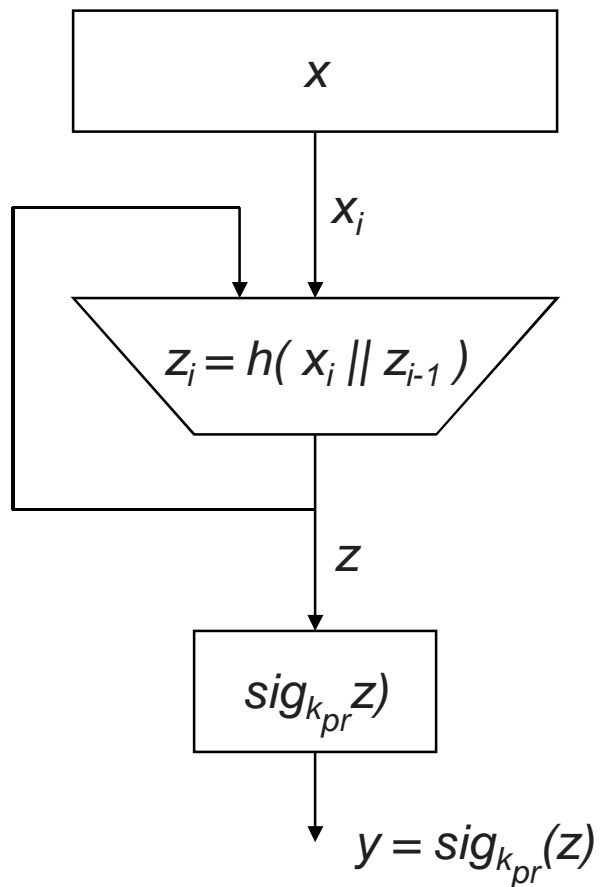
Also secure, but much faster

Needed:

Hash Functions

Chapter 11 of *Understanding Cryptography* by Christof Paar and Jan Pelzl

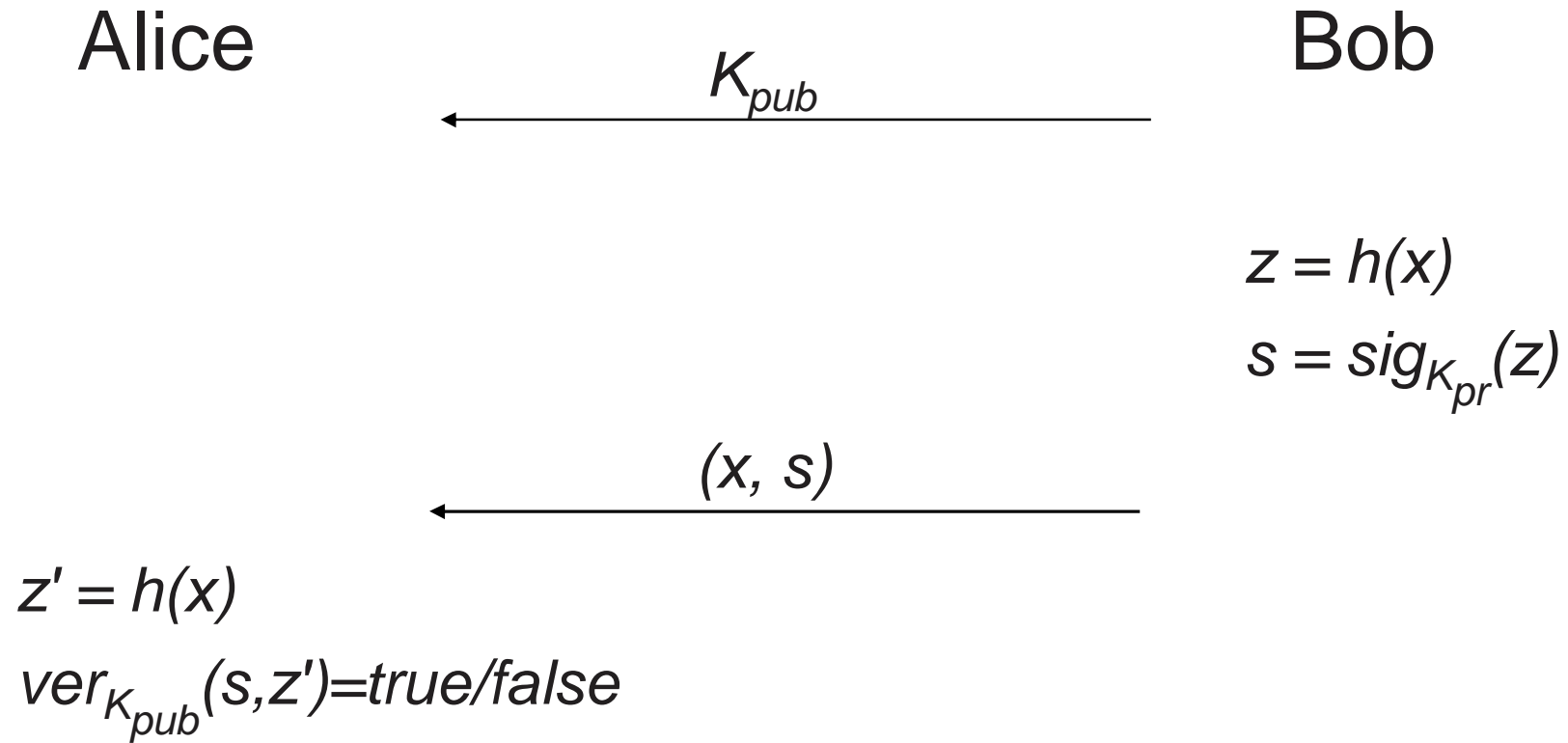
■ Digital Signature with a Hash Function



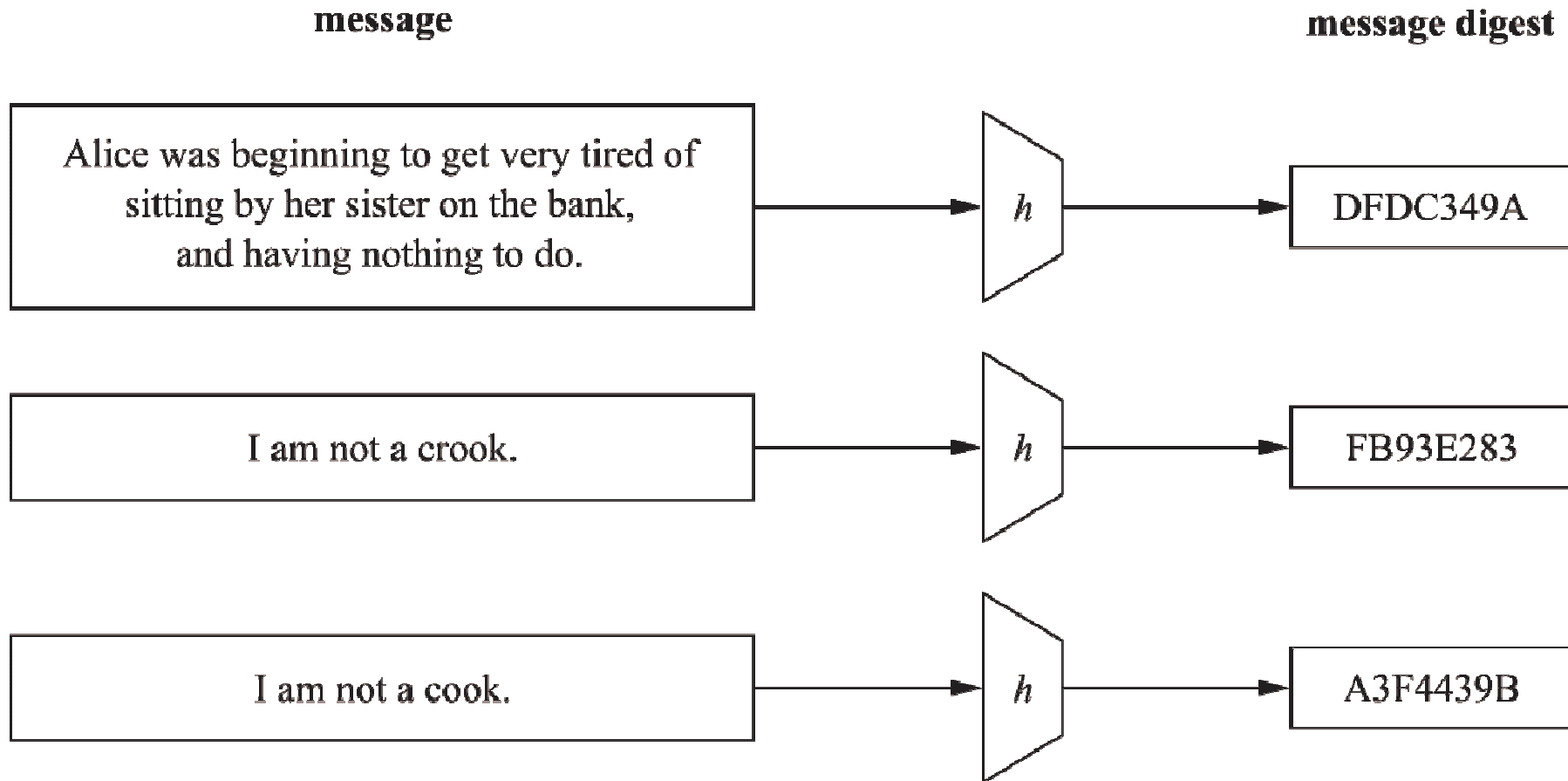
Notes:

- x has fixed length
- z, y have fixed length
- z, x do not have equal length in general
- $h(x)$ does not require a key.
- $h(x)$ is public.

■ Basic Protocol for Digital Signatures with a Hash Function:



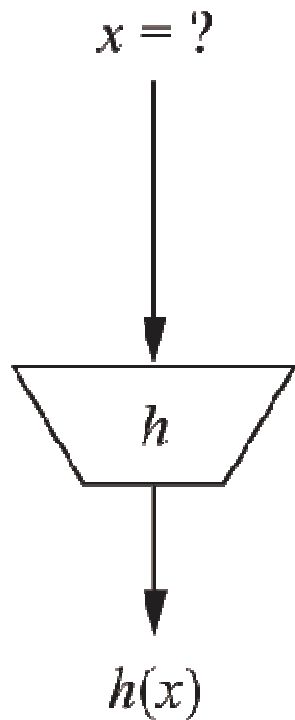
■ Principal input–output behavior of hash functions



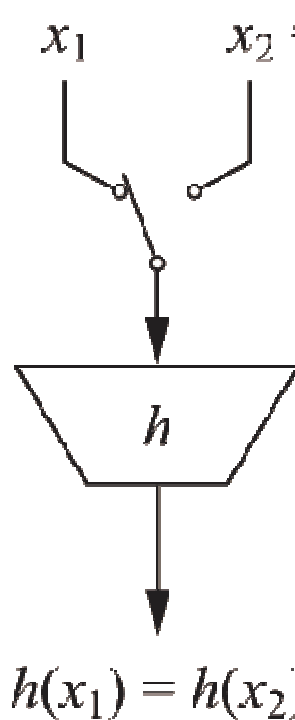
Content of this Chapter

- Why we need hash functions
- How does it work
- **Security properties**
- Algorithms
- Example: The Secure Hash Algorithm SHA-1

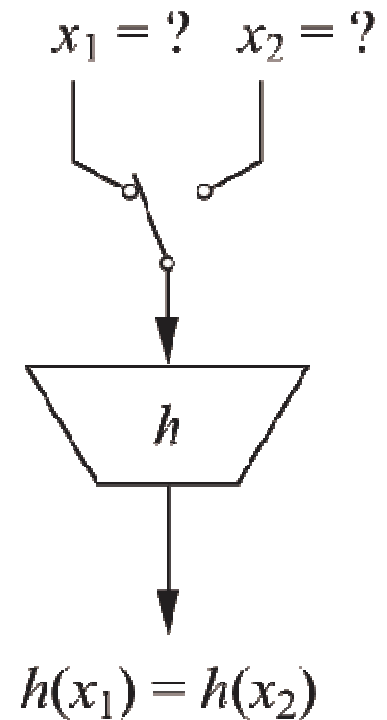
■ The three security properties of hash functions



preimage resistance



second preimage
resistance



collision resistance

■ Hash Funktionen: Security Properties

- **Preimage resistance:** For a given output z , it is impossible to find any input x such that $h(x) = z$, i.e., $h(x)$ is one-way.
- **Second preimage resistance:** Given x_1 , and thus $h(x_1)$, it is computationally infeasible to find any x_2 such that $h(x_1) = h(x_2)$.
- **Collision resistance:** It is computationally infeasible to find any pairs $x_1 \neq x_2$ such that $h(x_1) = h(x_2)$.

■ Hash Funktionen: Security

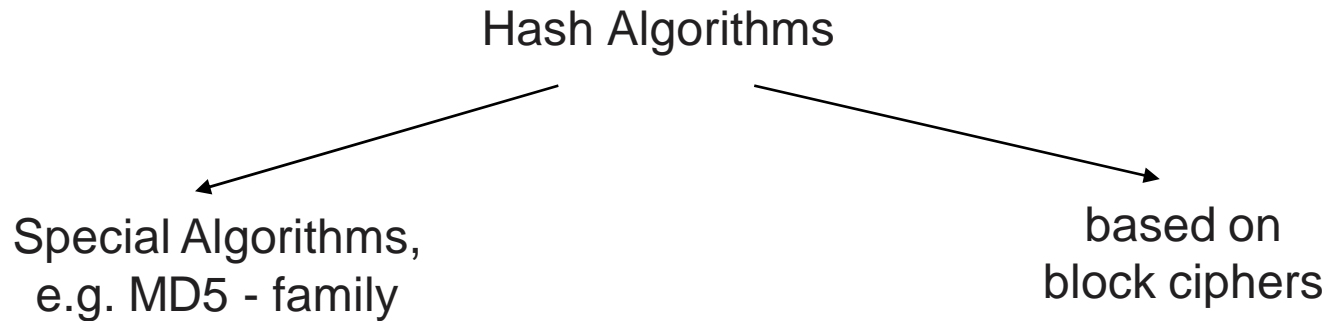
It turns out that collision resistance causes most problems

- How hard is it to find a collision with a probability of 0.5 ?
- Related Problem: How many people are needed such that two of them have the same birthday with a probability of 0.5 ?
- No! Not $365/2=183$. 23 are enough ! This is called the birthday paradoxon (Search takes $\approx\sqrt{2^n}$ steps) .
- For more info see Chapter 11.2.3 in *Understanding Cryptography*.
- To deal with this paradox, hash functions need a output size of at least 160 bits.

Content of this Chapter

- Why we need hash functions
- How does it work
- Security properties
- **Algorithms**
- Example: The Secure Hash Algorithm SHA-1

■ Hash Funktionen: Algorithms



- **MD5** - family
- **SHA-1**: output - 160 Bit; input - 512 bit chunks of message x ;
operations - bitwise AND, OR, XOR, complement und cyclic shifts.
- **RIPE-MD 160**: output - 160 Bit; input - 512 bit chunks of message x ;
operations – like in SHA-1, but two in parallel and combinations of them after each round.

Content of this Chapter

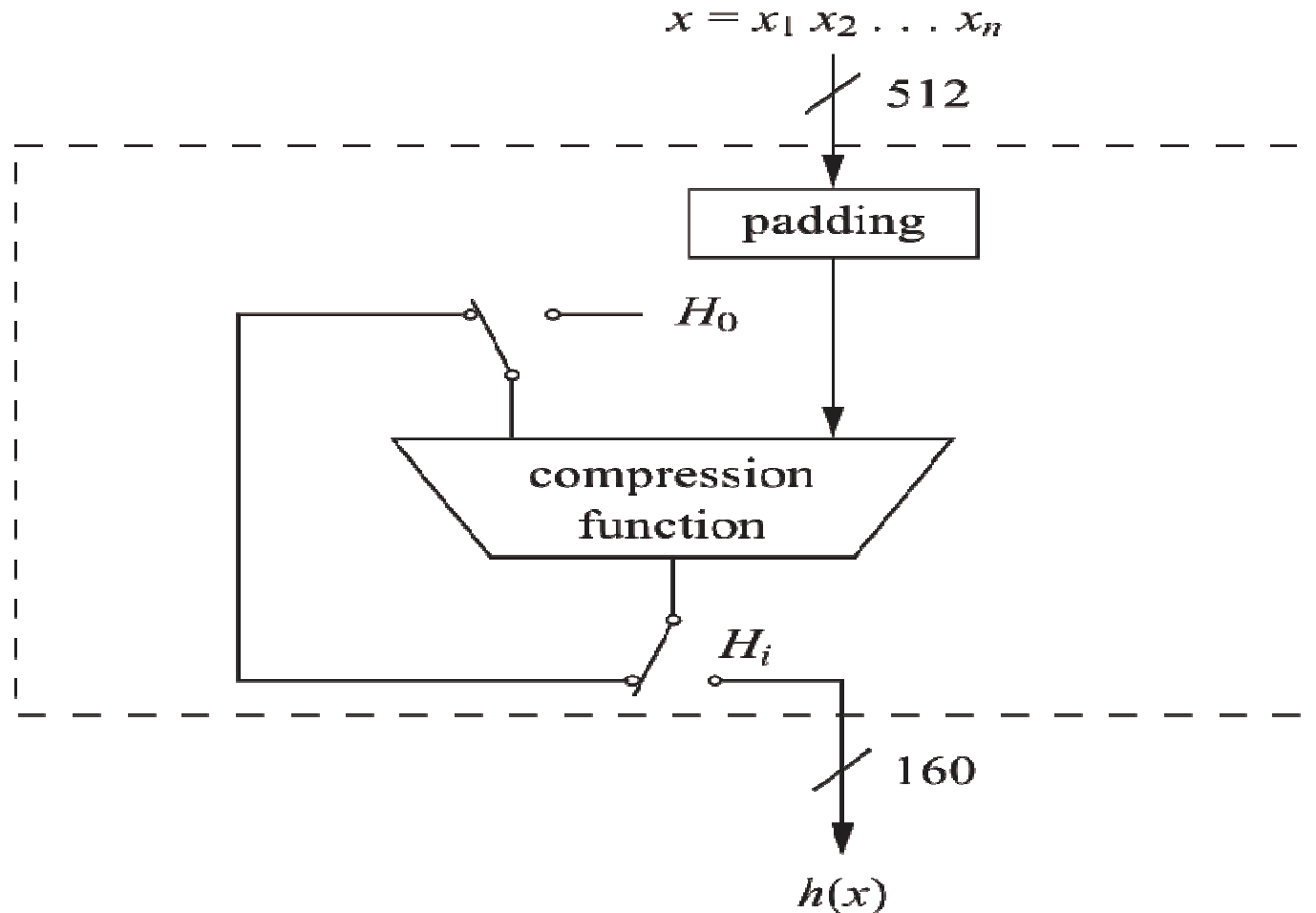
- Why we need hash functions
- How does it work
- Security properties
- Algorithms
- **Example: The Secure Hash Algorithm SHA-1**

■ SHA-1

- Part of the MD-4 family.
- Based on a Merkle-Damgård construction.
- 160-bit output from a message of maximum length 2^{64} bit.
- Widely used (even tough some weaknesses are known)

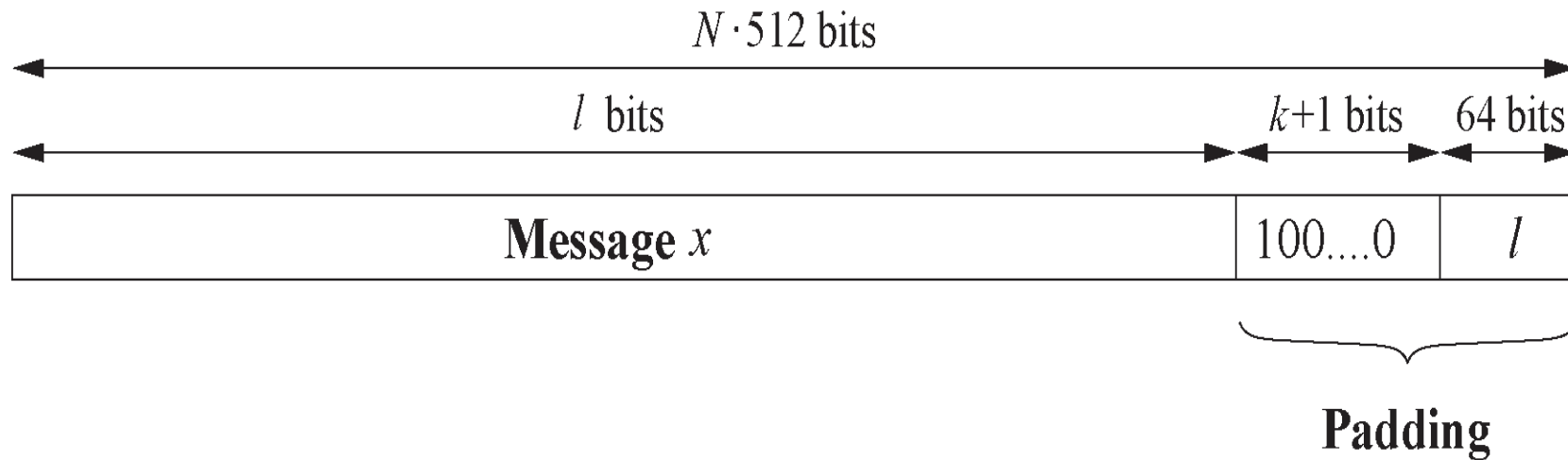
■ SHA-1 High Level Diagramm

- Compression Function consists of 80 rounds which are divided into four stages of 20 rounds each



■ SHA-1: Padding

- Message x has to be padded to fit a size of a multiple of 512 bit.
- $k \equiv 512 - 64 - 1 - l = 448 - (l + 1) \pmod{512}$.



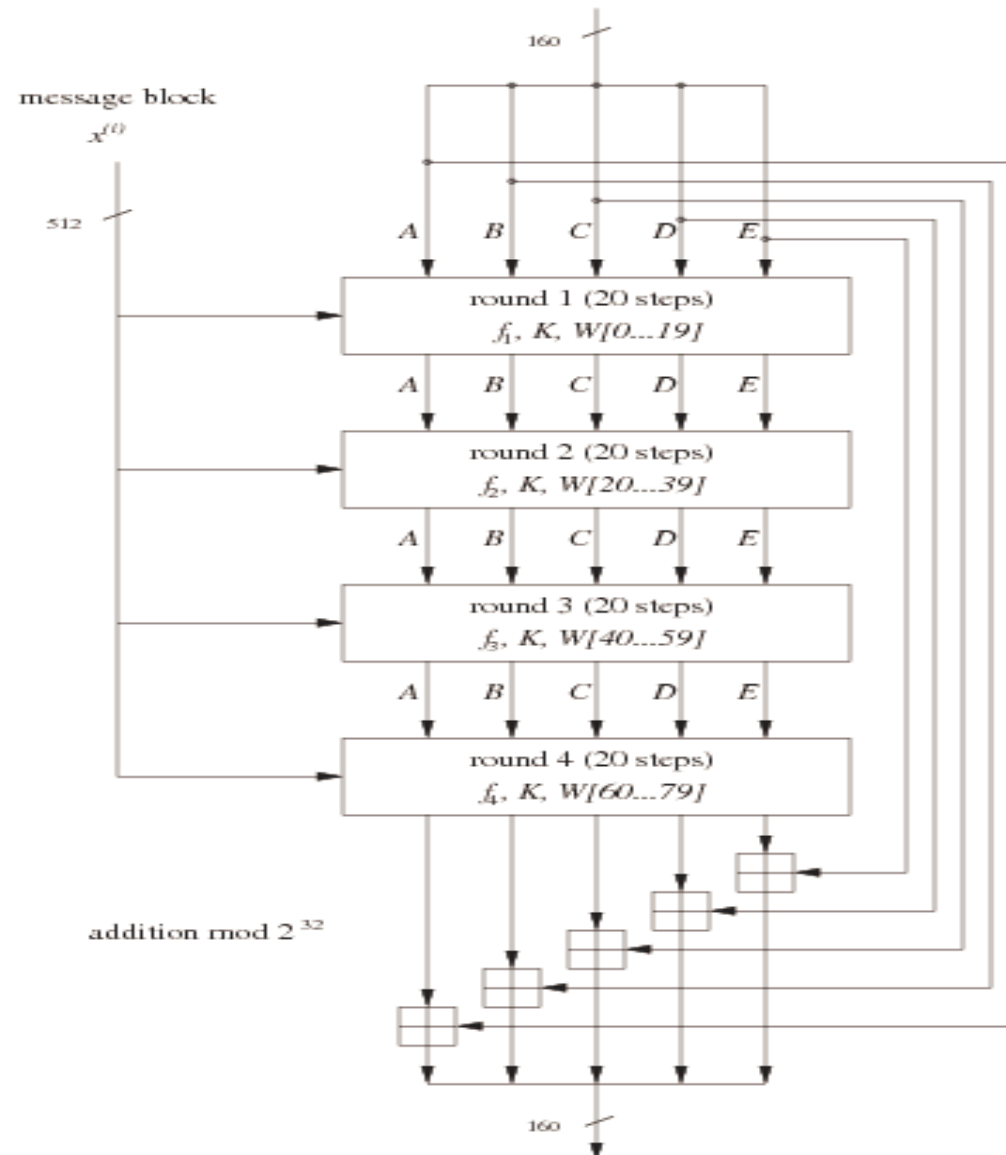
■ SHA-1: Hash Computation

- Each message block x_i is processed in four stages with 20 rounds each

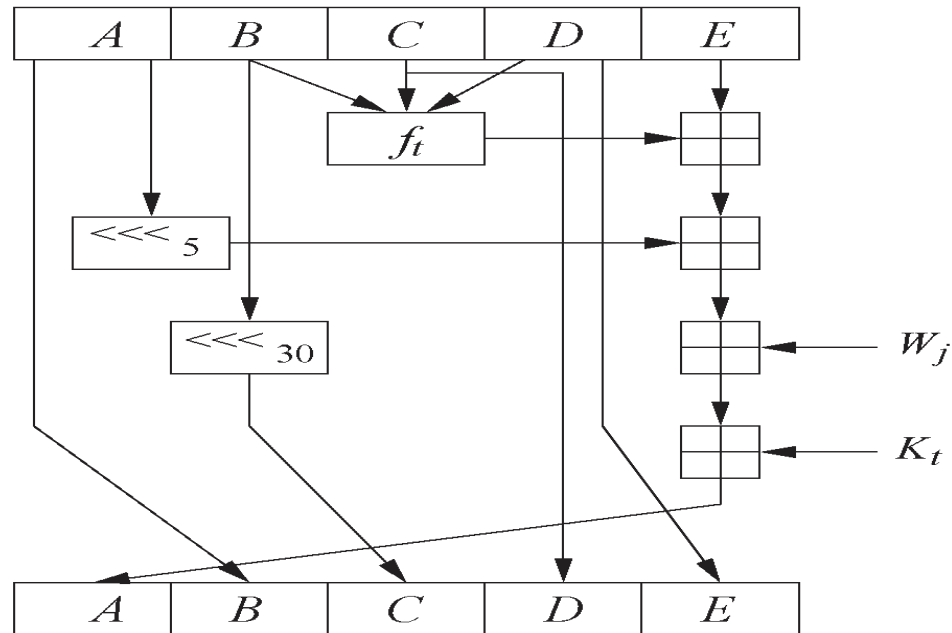
SHA-1 uses:

- A message schedule which computes a 32-bit word W_0, W_1, \dots, W_{79} for each of the 80 rounds
- Five working registers of size of 32 bits A, B, C, D, E
- A hash value H_i consisting of five 32-bit words $H_i^{(0)}, H_i^{(1)}, H_i^{(2)}, H_i^{(3)}, H_i^{(4)}$
- In the beginning, the hash value holds the initial value H_0 , which is replaced by a new hash value after the processing of each single message block.
- The final hash value H_n is equal to the output $h(x)$ of SHA-1.

■ SHA-1: All four stages



SHA-1: Internals of a Round



Stage t	Round j	Constant K_t	Function f_t
1	00...19	$K=5A827999$	$f(B,C,D)=(B \wedge C) \vee (\neg B \wedge D)$
2	20...39	$K=6ED9EBA1$	$f(B,C,D)=B \oplus C \oplus D$
3	40...59	$K=8F1BBCDC$	$f(B,C,D)=(B \oplus C) \vee (B \oplus D) \vee (C \oplus D)$
4	60...79	$K=CA62C1D6$	$f(B,C,D)=B \oplus C \oplus D$

■ Lessons Learned: Hash-Funktionen

- Hash functions are keyless. The two most important applications of hash functions are their use in digital signatures and in message authentication codes such as HMAC.
- The three security requirements for hash functions are one-wayness, second preimage resistance and collision resistance.
- Hash functions should have at least 160-bit output length in order to withstand collision attacks; 256 bit or more is desirable for long-term security.
- MD5, which was widely used, is insecure. Serious security weaknesses have been found in SHA-1, and the hash function should be phased out. The SHA-2 algorithms all appear to be secure.
- The ongoing SHA-3 competition will result in new standardized hash functions in a few years.